

# LED Flood Lighting

## SFP Series

SFP600 | SFP800 (Remote Type)

### Product Description

- Lightweight (16.8lb / 7.6kg), compact and low EPA (1.3454ft²/0.125m²) for minimum wind load
- Safe structural integrity, reduction in cost and CO₂ for sustainable design/construction of lighting system structure
- Outstanding cooling technology and durable design, various installation options including internal wiring type
- Unique Inner Visor optic solution for outstanding light distribution, low light spill and low glare
- Various smart control options (DMX-RDM, DALI-2, Wireless Zigbee, Cloud Control, NEMA7, Zhaga interface)
- The PTX heat sink is available in two sizes: 100mm and 150mm. The 100mm model is available in most regions, while the 150mm model is intended for use in hot climate regions, such as Southeast Asia.



### Application

- Sports Facilities
- Aircraft Hangars
- Airport Aprons
- Parking Lots
- Harbor / Yard

### Certification

- cUL
- UL
- ENEC, CE, CB, UKCA
- PSE, KC

### SFP800 Specifications


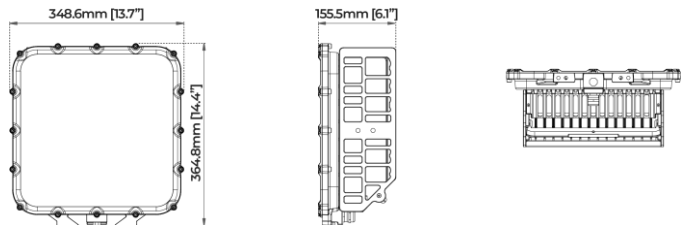

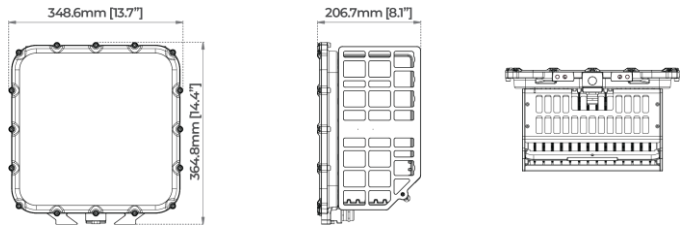
Model Name		SFP600			SFP800		
Power Consumption		600W			800W		
CCT		5000K (5700K, 4000K, 3000K, 2700K optional)			5000K (5700K, 4000K, 3000K, 2700K optional)		
Luminous Flux * (lm)		63,600	73,800	81,600	80,000	94,400	104,800
Luminous Efficacy * (lm/W)		106	123	136	100	118	131
CRI		90Ra	80Ra	70Ra	90Ra	80Ra	70Ra
LED Driving Current		830 mA			1,111 mA		
LED Input Voltage		240Vdc Typ.			240Vdc Typ.		
Light Distribution		15°(Symmetric) / 20°(Symmetric) / 30°(Asymmetric   Symmetric) / 45°(Symmetric)					
Input Voltage		200 ~ 480 Vac			200 ~ 480 Vac		
Input Current		Max. 3.52A (@200 Vac) Max. 1.47A (@480 Vac)			Max. 4.69A (@200 Vac) Max. 1.96A (@480 Vac)		
Inrush Current (I <sup>2</sup> t)		Max. 2.09 A²s, At 480Vac input, 25°C cold start, duration=11.6ms, 10%lpk-10%lpk					
Power Factor		≥0.9 at Max. Load					
Frequency		50 / 60 Hz					
Surge Protection		Line – Line 20kV, Line – FG 20kV					
Driver Installation Type		Remote Driver					
Fixture Manufacturer		GigaTera Lighting Inc.					
Size	PTX Length	PTX 100mm	PTX 150mm (*for hot regions only)		PTX 100mm	PTX 150mm (*for hot regions only)	
	inch	13.7 x 19.6 x 7.8	13.7 x 19.6 x 9.8		13.7 x 19.6 x 7.8	13.7 x 19.6 x 9.8	
	mm	348.6 x 496.8 x 198.2	348.6 x 496.8 x 249.3		348.6 x 496.8 x 198.2	348.6 x 496.8 x 249.3	
Weight (MT BKT Include)		Max. 16.8 lb / 7.6 kg	Max. 18.8 lb / 8.5 kg		Max. 18.8 lb / 8.5 kg	Max. 16.8 lb / 7.6 kg	
Material	Body	Cast Aluminum					
	Optic	Polycarbonate Lens					
	Cover	Tempered Glass 3.2T (Clear)					
Finish		Electro Deposition (Black Color), Other coating options are available					
IP Rating		IP66					
IK Rating		IK08					
Effective Projected Area (EPA)	PTX Length	PTX 100mm	PTX 150mm (*for hot regions only)		PTX 100mm	PTX 150mm (*for hot regions only)	
	Front	1.3454ft² / 0.125m²	1.34541ft² / 0.125m²		1.3454ft² / 0.125m²	1.34541ft² / 0.125m²	
	Side	0.6458ft² / 0.060m²	0.8288ft² / 0.077m²		0.6458ft² / 0.060m²	0.8288ft² / 0.077m²	
Operating Temperature		-22°F ~ 131°F / -30°C ~ 50°C					
Operation Lifetime		> 100,000 hours (L90B10) at 25°C					
Option	Control	Wireless (Zigbee, NEMA7, Zhaga Interface) / Wired (DMX512, DALI-2)					
	Bracket	See next pages					
Warranty		5 Years (10 years conditional warranty, TBS)					

\* Tolerance : ± 5%


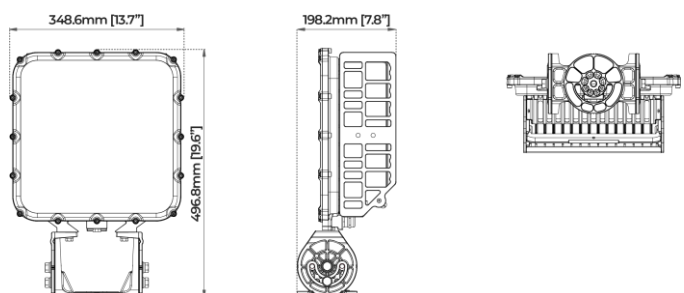

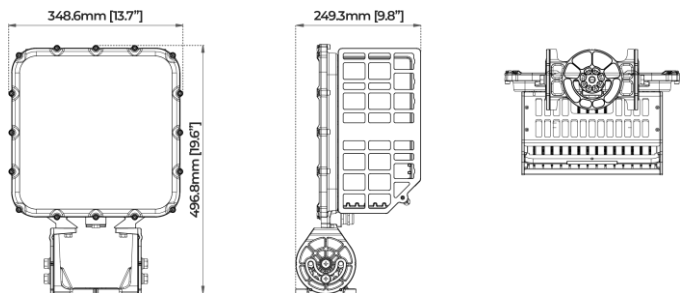
# LED Flood Lighting SFP Series

SFP600 | SFP800 (Remote Type)

## SFP800 – Module Only (\*The 150mm PTX model is suitable for countries like Southeast Asia)

	
<p><b>Size &amp; Weight</b> (100mm PTX Applied)</p>	<p>13.7 x 14.4 x 6.1(inch) / 348.6 x 364.8 x 155.5(mm)   13.9 lb / 6.3 kg</p>
<p><b>Effective Projected Area (EPA)</b></p>	<p>Front : 1.2378ft<sup>2</sup> / 0.115m<sup>2</sup>, Side : 0.5166ft<sup>2</sup> / 0.048m<sup>2</sup></p>
	
<p><b>Size &amp; Weight</b> (150mm PTX Applied - * For hot regions only)</p>	<p>13.7 x 14.4 x 8.1(inch) / 348.6 x 364.8 x 206.7(mm)   15.9 lb / 7.2 kg</p>
<p><b>Effective Projected Area (EPA)</b></p>	<p>Front : 1.2378ft<sup>2</sup> / 0.115m<sup>2</sup>, Side : 0.6996ft<sup>2</sup> / 0.065m<sup>2</sup></p>


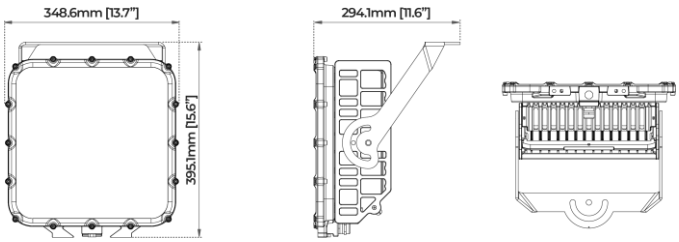
## SFP800 – Standard Straight Type Bracket, Optional


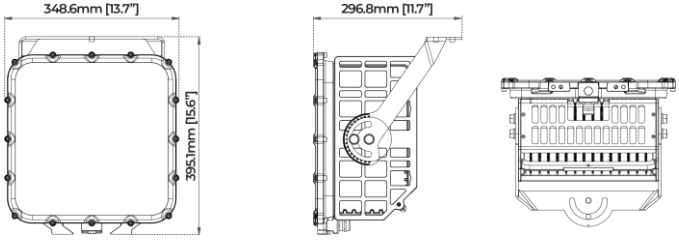
	
<p><b>Size &amp; Weight</b> (100mm PTX Applied)</p>	<p>13.7 x 19.6 x 7.8(inch) / 348.6 x 496.8 x 198.2(mm)   16.8 lb / 7.6 kg</p>
<p><b>Effective Projected Area (EPA)</b></p>	<p>Front : 1.3454ft<sup>2</sup> / 0.125m<sup>2</sup>, Side : 0.6458ft<sup>2</sup> / 0.060m<sup>2</sup></p>
	
<p><b>Size &amp; Weight</b> (150mm PTX Applied - * For hot regions only)</p>	<p>13.7 x 19.6 x 9.8(inch) / 348.6 x 496.8 x 249.3(mm)   18.8 lb / 8.5 kg</p>
<p><b>Effective Projected Area (EPA)</b></p>	<p>Front : 1.3454ft<sup>2</sup> / 0.125m<sup>2</sup>, Side : 0.8288ft<sup>2</sup> / 0.077m<sup>2</sup></p>

# LED Flood Lighting SFP Series


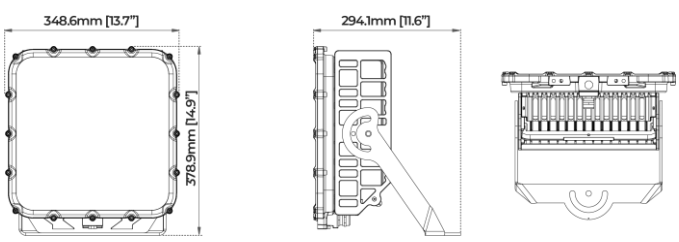
SFP600 | SFP800 (Remote Type)


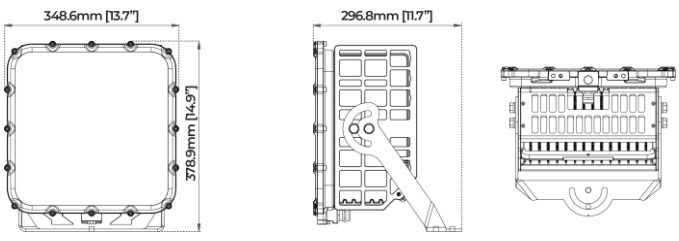
## SFP800 – U Shape Bracket, Reverse Hanging Type, Optional

	 <p>348.6mm [13.7"] 395.1mm [15.6"] 294.1mm [11.6"]</p>
<p><b>Size &amp; Weight</b> (100mm PTX Applied)</p>	<p>13.7 x 15.6 x 11.6(inch) / 348.6 x 395.1 x 294.1(mm)   17.0 lb / 7.7 kg</p>
<p><b>Effective Projected Area (EPA)</b></p>	<p>Front : 1.2809ft<sup>2</sup> / 0.119m<sup>2</sup>, Side : 0.5920ft<sup>2</sup> / 0.055m<sup>2</sup></p>

	 <p>348.6mm [13.7"] 395.1mm [15.6"] 296.8mm [11.7"]</p>
<p><b>Size &amp; Weight</b> (150mm PTX Applied - * For hot regions only)</p>	<p>13.7 x 15.6 x 11.7(inch) / 348.6 x 395.1 x 296.8(mm)   19.0 lb / 8.6 kg</p>
<p><b>Effective Projected Area (EPA)</b></p>	<p>Front : 1.2809ft<sup>2</sup> / 0.119m<sup>2</sup>, Side : 0.7427ft<sup>2</sup> / 0.069m<sup>2</sup></p>

## SFP800 – U Shape Bracket, Standard Type, Optional


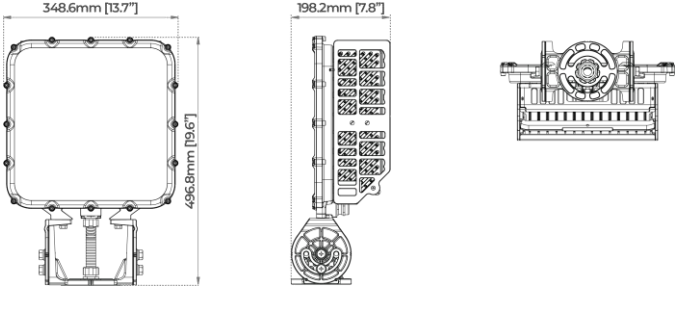
	 <p>348.6mm [13.7"] 378.9mm [14.9"] 294.1mm [11.6"]</p>
<p><b>Size &amp; Weight</b> (100mm PTX Applied)</p>	<p>13.7 x 15.6 x 11.6(inch) / 348.6 x 395.1 x 294.1(mm)   17.0 lb / 7.7 kg</p>
<p><b>Effective Projected Area (EPA)</b></p>	<p>Front : 1.2809ft<sup>2</sup> / 0.119m<sup>2</sup>, Side : 0.5920ft<sup>2</sup> / 0.055m<sup>2</sup></p>


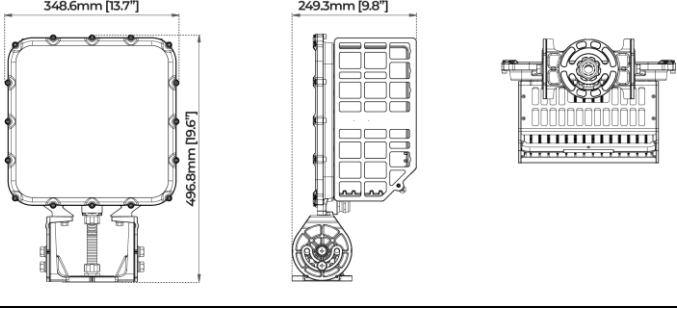
	 <p>348.6mm [13.7"] 378.9mm [14.9"] 296.8mm [11.7"]</p>
<p><b>Size &amp; Weight</b> (150mm PTX Applied - * For hot regions only)</p>	<p>13.7 x 15.6 x 11.7(inch) / 348.6 x 395.1 x 296.8(mm)   19.0 lb / 8.6 kg</p>
<p><b>Effective Projected Area (EPA)</b></p>	<p>Front : 1.2809ft<sup>2</sup> / 0.119m<sup>2</sup>, Side : 0.7427ft<sup>2</sup> / 0.069m<sup>2</sup></p>

# LED Flood Lighting SFP Series


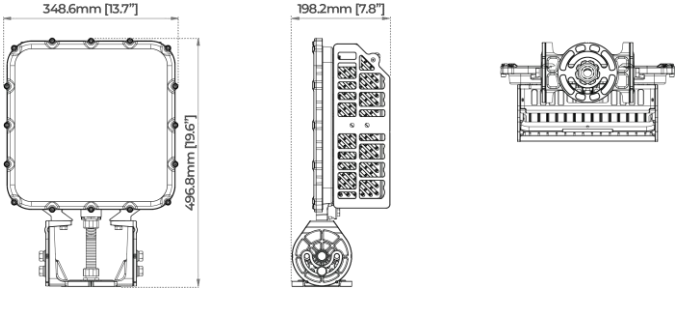
SFP600 | SFP800 (Remote Type)


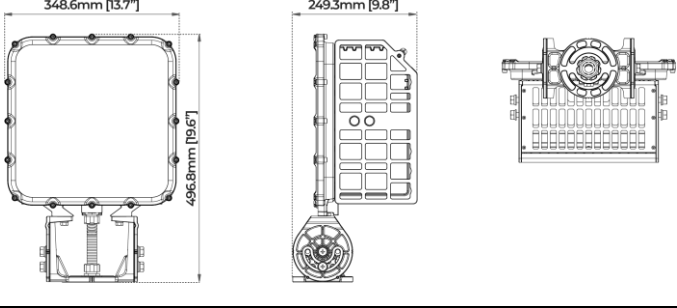
## SFP800 – Internal Wiring Bracket, Standard Type, Optional

	
<p><b>Size &amp; Weight</b> (100mm PTX Applied)</p>	<p>13.7 x 19.6 x 7.8(inch) / 348.6 x 496.8 x 198.2(mm)   17.3 lb / 7.8 kg</p>
<p><b>Effective Projected Area (EPA)</b></p>	<p>Front : 1.3885ft<sup>2</sup> / 0.129m<sup>2</sup>, Side : 0.6458ft<sup>2</sup> / 0.060m<sup>2</sup></p>

	
<p><b>Size &amp; Weight</b> (150mm PTX Applied - * For hot regions only)</p>	<p>13.7 x 19.6 x 9.8(inch) / 348.6 x 496.8 x 249.3(mm)   19.3 lb / 8.7 kg</p>
<p><b>Effective Projected Area (EPA)</b></p>	<p>Front : 1.3885ft<sup>2</sup> / 0.129m<sup>2</sup>, Side : 0.8288ft<sup>2</sup> / 0.077m<sup>2</sup></p>

## SFP800 – Internal Wiring Bracket, Reverse Hanging Type, Optional

	
<p><b>Size &amp; Weight</b> (100mm PTX Applied)</p>	<p>13.7 x 19.6 x 7.8(inch) / 348.6 x 496.8 x 198.2(mm)   17.3 lb / 7.8 kg</p>
<p><b>Effective Projected Area (EPA)</b></p>	<p>Front : 1.3885ft<sup>2</sup> / 0.129m<sup>2</sup>, Side : 0.6458ft<sup>2</sup> / 0.060m<sup>2</sup></p>


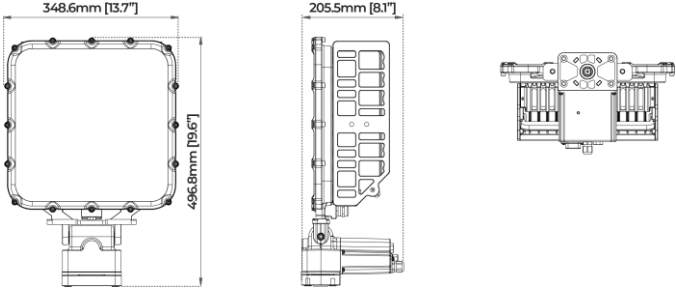

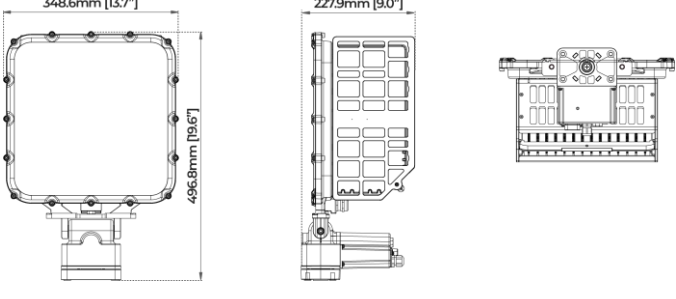
	
<p><b>Size &amp; Weight</b> (150mm PTX Applied - * For hot regions only)</p>	<p>13.7 x 19.6 x 9.8(inch) / 348.6 x 496.8 x 249.3(mm)   19.3 lb / 8.7 kg</p>
<p><b>Effective Projected Area (EPA)</b></p>	<p>Front : 1.3885ft<sup>2</sup> / 0.129m<sup>2</sup>, Side : 0.8288ft<sup>2</sup> / 0.077m<sup>2</sup></p>

# LED Flood Lighting

## SFP Series

SFP600 | SFP800 (Remote Type)

### SFP800 – Remote Aiming Box (RTS-G3), Optional

	
<p><b>Size &amp; Weight</b> (100mm PTX Applied)</p>	<p>13.7 x 19.6 x 8.1(inch) / 348.6 x 496.8 x 205.5(mm)   20.9 lb / 9.5 kg</p>
<p><b>Effective Projected Area (EPA)</b></p>	<p>Front : 1.4100ft<sup>2</sup> / 0.131m<sup>2</sup>, Side : 0.7104ft<sup>2</sup> / 0.066m<sup>2</sup></p>
	
<p><b>Size &amp; Weight</b> (150mm PTX Applied - * For hot regions only)</p>	<p>13.7 x 19.6 x 9.0(inch) / 348.6 x 496.8 x 227.9(mm)   22.9 lb / 10.4 kg</p>
<p><b>Effective Projected Area (EPA)</b></p>	<p>Front : 1.4100ft<sup>2</sup> / 0.131m<sup>2</sup>, Side : 0.8826ft<sup>2</sup> / 0.082m<sup>2</sup></p>

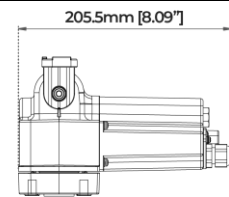
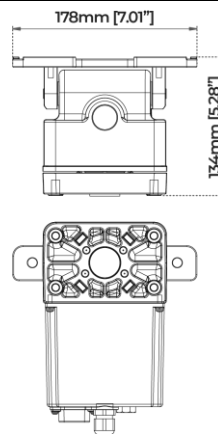
### RTS-G3 Specifications

<b>Model Name</b>	<b>RTS-G3</b>	
<b>Input Voltage</b>	24VDC	
<b>Power Consumption</b>	MAX 48W	
<b>Connector</b>	Waterproof connector	
<b>Communication Method</b>	RS-485	Zigbee(option)
<b>Data Rate</b>	115,200 [bps]	2.4 GHz – IEEE 802.15.4 (Compatible)
<b>Adjustable Angle</b>	Steering : ±70° / Tilt : 20 ~ -70°	
<b>Angular Velocity</b>	Steering 5 rad/s, Tilt 5 rad/s	
<b>Life Time</b>	40,000 cycle	
<b>Operating Product Weight</b>	Max. 15.2kg with SFP1K5 + 150mm PTX module	
<b>Size (mm)</b>	7.0 x 5.3 x 8.1 (inch) / 178.0 x 134.0 x 205.5 (mm)	
<b>Weight</b>	7.01 lb / 3.18 Kg	
<b>Body</b>	Cast Aluminum	
<b>Finish</b>	Electro-deposition Coating	
<b>Operating Temp.</b>	-30°C ~ 60°C	
<b>IP Rating</b>	IP65	

# LED Flood Lighting SFP Series

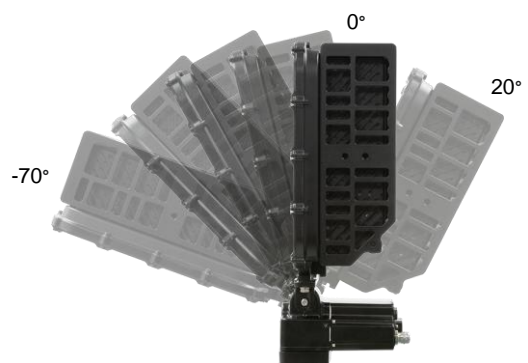
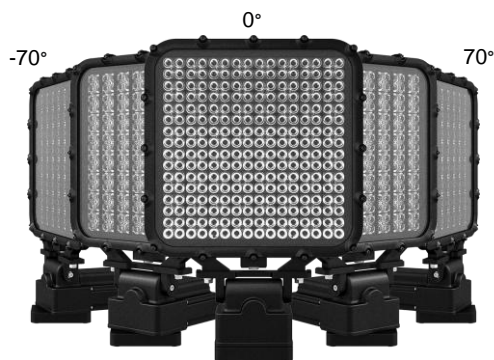
SFP600 | SFP800 (Remote Type)

## Dimension



Steering :  $\pm 70^\circ$  (\*Compatible with SFP800 and SFP1K5)

Tilt : 20 to  $-70^\circ$  (\*Compatible with SFP800 and SFP1K5)



## Control System (Optional)

ZigBee	Wireless Control	
Input Voltage	12 Vdc	
Max. Power Consumption	0.3W (@12 Vdc)	
Standard	2.4 GHz – IEEE 802.15.4 (Compatible)	
Network	Mesh	
RF Tx Power	Max. +8 dBm (Typ. 5 dBm)	
Data Rate	250 kbps	
Security	128 bit AES Encryption Algorithms	
Antenna	Omni Type, 2 dBi	
Wired Control	RS-485	DMX512
Input Voltage	12 Vdc	
Max. Power Consumption	0.2W (@12 Vdc)	
Communication Method	RS-485	DMX512
Data Rate	115,200 bps, 8-N-1	250,000 bps, 8-N-2

**NEMA-7** (Zhaga option available)

# LED Flood Lighting

## SFP Series

SFP600 | SFP800 (Remote Type)

<b>Mechanical</b>	7 Position : 3 Power Contacts + 4 Dimming / Signal Contacts		
<b>Electrical</b>	Power Contacts. 15A, Max.480Vac/dc		
	Dimming Contacts. 0.10A, Max.10Vac/dc		
<b>Model Name</b>	TE, 2213362-4(ANSI C136.41-2013 Dimming Receptacle)		
	te.com		

### DALI-2 standards IEC 62386-101, -102 & -207

<b>DA+, DA- High Level</b>	Min. 9.5V	Typ. 16V	22.5V
<b>DA+, DA- Low Level</b>	Min. -6.5V	Typ. 0V	6.5V
<b>DA+, DA- Current</b>	Min. 0mA	-	2mA

### SFP600 - (5700K/5000K/4000K/3000K)

CCT	5700K			5000K		
<b>Luminous Flux * (lm)</b>	60,000	70,800	78,600	63,600	73,800	81,600
<b>Luminous Efficacy * (lm/W)</b>	100	118	131	106	123	136
<b>CRI</b>	90Ra	80Ra	70Ra	90Ra	80Ra	70Ra
CCT	4000K			3000K		
<b>Luminous Flux * (lm)</b>	60,000	70,800	78,600	57,000	67,800	75,600
<b>Luminous Efficacy * (lm/W)</b>	100	118	131	95	113	126
<b>CRI</b>	90Ra	80Ra	70Ra	90Ra	80Ra	70Ra

\* Tolerance : ± 5%

### SFP800 - (5700K/5000K/4000K/3000K)

CCT	5700K			5000K		
<b>Luminous Flux * (lm)</b>	76,000	90,400	100,800	80,000	94,400	104,800
<b>Luminous Efficacy * (lm/W)</b>	95	113	126	100	118	131
<b>CRI</b>	90Ra	80Ra	70Ra	90Ra	80Ra	70Ra
CCT	4000K			3000K		
<b>Luminous Flux * (lm)</b>	76,000	90,400	100,800	72,000	86,400	96,800
<b>Luminous Efficacy * (lm/W)</b>	95	113	126	90	108	121
<b>CRI</b>	90Ra	80Ra	70Ra	90Ra	80Ra	70Ra

\* Tolerance : ± 5%

# LED Flood Lighting

## SFP Series

SFP600 | SFP800 (Remote Type)

Ordering Information		Ordering Code Usage : SFP800-N57S157SRBNDMST							
SFP	Power Consumption	-	Input Voltage	CCT(K)	Beam Type	Angle	CRI	Body Type	Driver Type
	000		O	OO	O	OO	O	O	O
	500 = 500W 600 = 600W 750 = 750W 800 = 800W (Other options are available)		D = DC 200 H = AC200~277V N = AC200~480V P = AC277~480V	57 = 5700K 50 = 5000K 40 = 4000K 30 = 3000K	A = Asymmetric S = Symmetric	15 = 15° 20 = 20° 30 = 30° 45 = 45°	9 = 90Ra 8 = 80Ra 7 = 70Ra	S = Single D = Dual	R = Remote type D = Direct mounted type B = Bridge bracket mounted type

Fixture Color	Visor	Control System	Bracket
O	O	OO	OO
B = Black G = Grey	N = None L = Left Side R = Right Side T = Triple Side / Triangle	ZB = Zigbee RS = RS-485 DM = DMX512 D2 = DALI-2 NM = NEMA socket ZG = Zhaga socket DG = Digital	ST = Standard Straight type bracket RH = Reverse Hanging type bracket AT = Arm Tenon type bracket YS = Yoke Straight type bracket YR = Yoke Reverse type bracket IW = Internal Wiring type bracket