

# LED Flood Lighting SFP Series

GigaTera®  
beyond light

SFP1K2 | SFP1K5 (Remote Type)

## Product Description

- Lightweight (26.1lb / 11.8kg), compact and low EPA (1.8729ft²/0.174m²) for minimum wind load
- Safe structural integrity, reduction in cost and CO₂ for sustainable design/construction of lighting system structure
- Outstanding cooling technology and durable design, various installation options including internal wiring type
- Unique Inner Visor optic solution for outstanding light distribution, low light spill and low glare
- Various smart control options (DMX-RDM, DALI-2, Wireless Zigbee, Cloud Control, NEMA7, Zhaga interface)
- The PTX heat sink is available in two sizes: 100mm and 150mm. The 100mm model is available in most regions, while the 150mm model is intended for use in hot climate regions, such as Southeast Asia.



## Application

- Sports Facilities
- Aircraft Hangars
- Airport Aprons
- Parking Lots
- Harbor / Yard

## Certification

- cUL
- UL
- ENEC, CE, CB, UKCA
- PSE, KC

## SFP1K2 | 1K5 Specifications

Model Name		SFP1K2			SFP1K5		
Power Consumption		Max. 1.2kW			Max. 1.5kW		
CCT		5000K (5700K, 4000K, 3000K optional)			5000K (5700K, 4000K, 3000K optional)		
Luminous Flux * (lm)		120,000	141,600	157,200	142,500	166,500	184,500
Luminous Efficacy * (lm/W)		100	118	131	95	111	123
CRI		90Ra	80Ra	70Ra	90Ra	80Ra	70Ra
LED Driving Current		1,040mA (Max.)			1,300mA (Max.)		
LED Input Voltage		380Vdc Typ.			380Vdc Typ.		
Light Distribution		15°(Symmetric) / 20°(Symmetric) / 30°(Asymmetric   Symmetric) / 45°(Symmetric)					
Input Voltage		200 ~ 480Vac			277 ~ 480Vac		
Input Current		Max. 6.94A (@200Vac) Max. 2.96A (@480Vac)			Max. 6.17A (@277Vac) Max. 3.64A (@480Vac)		
Inrush Current (I²t)		Max. 2.88 A²s, At 480Vac input, 25°C cold start, duration=14.3ms, 10%lpk-10%lpk			Max. 2.09 A²s, At 480Vac input, 25°C cold start, duration=11.6ms, 10%lpk-10%lpk		
Power Factor		≥0.9 at Max. Load					
Frequency		50 / 60 Hz					
Surge Protection		Line – Line 20kV, Line – FG 20kV					
Driver Installation Type		Remote Driver Type / Rear Mounted Driver Type (Optional)					
Fixture Manufacturer		GigaTera Lighting Inc.					
Size	PTX Length	PTX 100mm	PTX 150mm (* Hot regions only)		PTX 100mm	PTX 150mm (* Hot regions only)	
	mm	491.0 x 496.8 x 196.7	491.0 x 496.8 x 247.8		491.0 x 496.8 x 196.7	491.0 x 496.8 x 247.8	
	inch	19.3 x 19.6 x 7.7	19.3 x 19.6 x 9.8		19.3 x 19.6 x 7.7	19.3 x 19.6 x 9.8	
Weight (BKT Include)		Max. 26.1 lb / 11.8kg	Max. 29.4 lb / 13.3kg		Max. 29.4 lb / 13.3kg	Max. 26.1 lb / 11.8kg	
Material	Body	Cast Aluminum					
	Optic	Polycarbonate Lens					
	Cover	Tempered Glass 3.2T (Clear)					
Finish		Electro Deposition (Black Color), Other coating options are available					
IP Rating		IP66					
IK Rating		IK08					
Effective Projected Area (EPA)	PTX Length	PTX 100mm	PTX 150mm (* Hot regions only)		PTX 100mm	PTX 150mm (* Hot regions only)	
	Front	1.8729ft² / 0.174m²	1.8729ft² / 0.174m²		1.8729ft² / 0.174m²	1.8729ft² / 0.174m²	
	Side	0.6458ft² / 0.060m²	0.8288ft² / 0.077m²		0.6458ft² / 0.060m²	0.8288ft² / 0.077m²	
Operating Temperature		-22°F ~ 131°F / -30°C ~ 50°C					
Operation Lifetime		> 100,000 hours (L90B10) at 25°C					
Option	Control	Wireless (Zigbee, Cloud) / Wired (RS-485, DMX512), NEMA7, Zhaga interface, DALI-2					
	Bracket	See next pages					
Warranty		5 Years (10 years conditional warranty, TBS)					


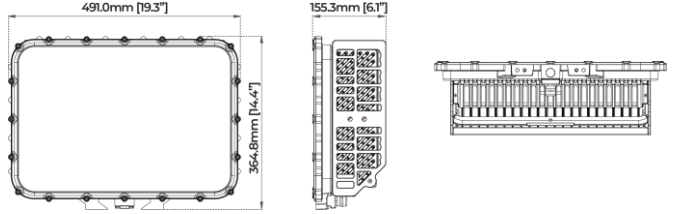

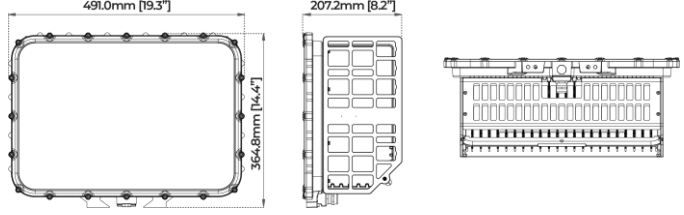

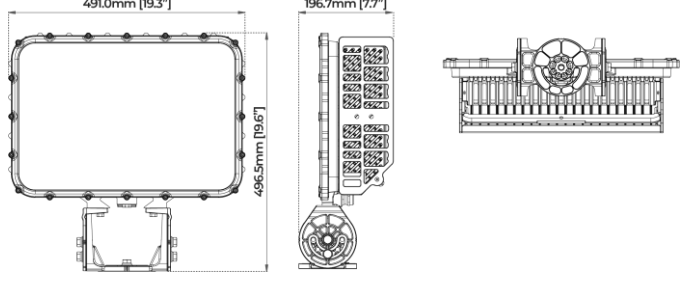

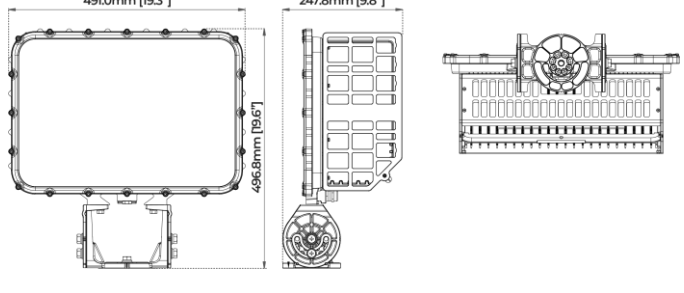
\* Tolerance : ± 5%

# LED Flood Lighting SFP Series

GigaTera®  
beyond light

SFP1K2 | SFP1K5 (Remote Type)

## SFP1K2 | 1K5 – Module Only (\*The 150mm PTX model is suitable for countries like Southeast Asia)


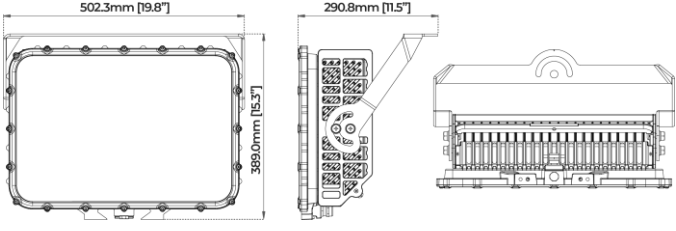
	
<p><b>Size &amp; Weight</b> (100mm PTX Applied)</p>	<p>19.3 x 14.4 x 6.1 (inch) / 491.0 x 364.8 x 155.3 (mm)   23.1 lb / 10.5 kg</p>
<p><b>Effective Projected Area (EPA)</b></p>	<p>Front : 1.7760ft<sup>2</sup> / 0.165m<sup>2</sup>, Side : 0.5166ft<sup>2</sup> / 0.048m<sup>2</sup></p>
	
<p><b>Size &amp; Weight</b> (150mm PTX Applied - * For hot regions only)</p>	<p>19.3 x 14.4 x 8.2 (inch) / 491.0 x 364.8 x 207.2 (mm)   26.5 lb / 12.0 kg</p>
<p><b>Effective Projected Area (EPA)</b></p>	<p>Front : 1.7760ft<sup>2</sup> / 0.165m<sup>2</sup>, Side : 0.6996ft<sup>2</sup> / 0.065m<sup>2</sup></p>
<h2>SFP1K2   1K5 – Standard Straight Type Bracket, Optional</h2>	
	
<p><b>Size &amp; Weight</b> (100mm PTX Applied)</p>	<p>19.3 x 19.6 x 7.7 (inch) / 491.0 x 496.8 x 196.7 (mm)   26.1 lb / 11.8 kg</p>
<p><b>Effective Projected Area (EPA)</b></p>	<p>Front : 1.8729ft<sup>2</sup> / 0.174m<sup>2</sup>, Side : 0.6458ft<sup>2</sup> / 0.060m<sup>2</sup></p>
	
<p><b>Size &amp; Weight</b> (150mm PTX Applied - * For hot regions only)</p>	<p>19.3 x 19.6 x 9.8 (inch) / 491.0 x 496.8 x 247.8 (mm)   29.4 lb / 13.3 kg</p>
<p><b>Effective Projected Area (EPA)</b></p>	<p>Front : 1.8729ft<sup>2</sup> / 0.174m<sup>2</sup>, Side : 0.8288ft<sup>2</sup> / 0.077m<sup>2</sup></p>


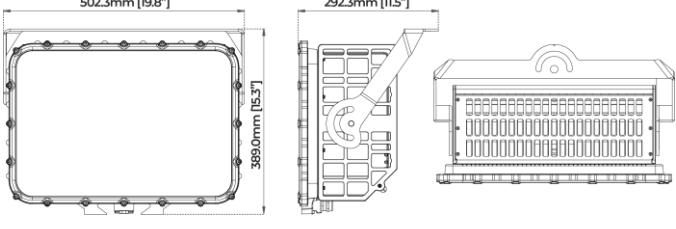
# LED Flood Lighting SFP Series

GigaTera®  
beyond light


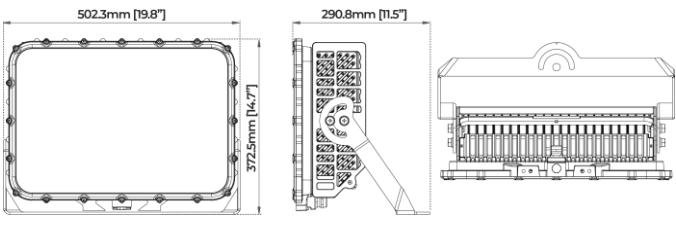
SFP1K2 | SFP1K5 (Remote Type)


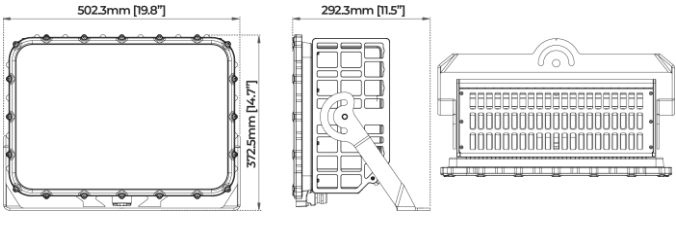
## SFP1K2 | 1K5 – U Shape Bracket, Reverse Hanging Type, Optional

	
<p><b>Size &amp; Weight</b> (100mm PTX Applied)</p>	<p>19.8 x 14.7 x 11.5(inch) / 502.3 x 372.5 x 290.8(mm)   26.2 lb / 11.9 kg</p>
<p><b>Effective Projected Area (EPA)</b></p>	<p>Front : 1.8513ft<sup>2</sup> / 0.172m<sup>2</sup>, Side : 0.5920ft<sup>2</sup> / 0.055m<sup>2</sup></p>

	
<p><b>Size &amp; Weight</b> (150mm PTX Applied - * For hot regions only)</p>	<p>19.8 x 14.7 x 11.5(inch) / 502.3 x 372.5 x 292.3(mm)   29.5 lb / 13.4 kg</p>
<p><b>Effective Projected Area (EPA)</b></p>	<p>Front : 1.8513ft<sup>2</sup> / 0.172m<sup>2</sup>, Side : 0.7427ft<sup>2</sup> / 0.069m<sup>2</sup></p>

## SFP1K2 | 1K5 – U Shape Bracket, Standard Type, Optional


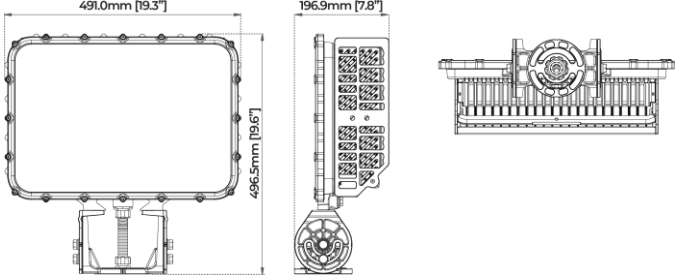
	
<p><b>Size &amp; Weight</b> (100mm PTX Applied)</p>	<p>19.8 x 14.7 x 11.5(inch) / 502.3 x 372.5 x 290.8(mm)   26.2 lb / 11.9 kg</p>
<p><b>Effective Projected Area (EPA)</b></p>	<p>Front : 1.8513ft<sup>2</sup> / 0.172m<sup>2</sup>, Side : 0.5920ft<sup>2</sup> / 0.055m<sup>2</sup></p>


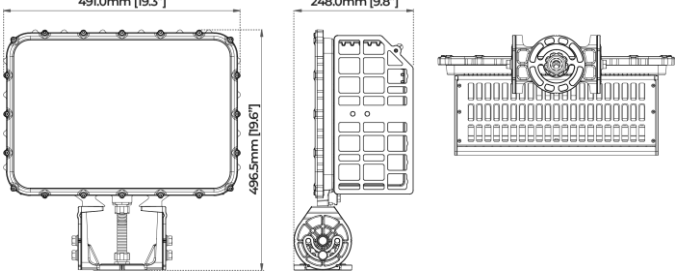
	
<p><b>Size &amp; Weight</b> (150mm PTX Applied - * For hot regions only)</p>	<p>19.8 x 14.7 x 11.5(inch) / 502.3 x 372.5 x 292.3(mm)   29.5 lb / 13.4 kg</p>
<p><b>Effective Projected Area (EPA)</b></p>	<p>Front : 1.8513ft<sup>2</sup> / 0.172m<sup>2</sup>, Side : 0.7427ft<sup>2</sup> / 0.069m<sup>2</sup></p>

# LED Flood Lighting SFP Series


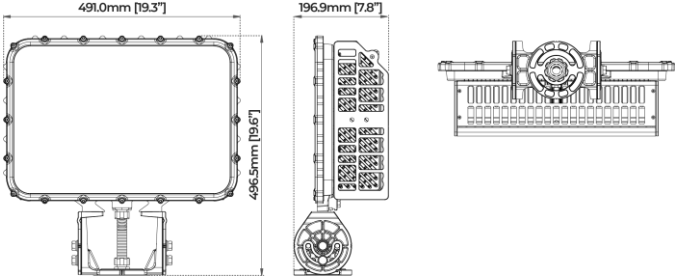
SFP1K2 | SFP1K5 (Remote Type)


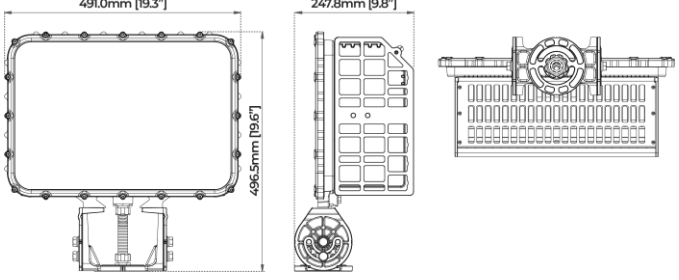
## SFP1K2 | 1K5 – Internal Wiring Bracket, Standard Type, Optional

	
<p><b>Size &amp; Weight</b> (100mm PTX Applied)</p>	<p>19.3 x 19.6 x 7.8 (inch) / 491.0 x 496.5 x 196.9 (mm)   26.5 lb / 12.0 kg</p>
<p><b>Effective Projected Area (EPA)</b></p>	<p>Front : 1.9052ft<sup>2</sup> / 0.177m<sup>2</sup>, Side : 0.6458ft<sup>2</sup> / 0.060m<sup>2</sup></p>

	
<p><b>Size &amp; Weight</b> (150mm PTX Applied - * For hot regions only)</p>	<p>19.3 x 19.6 x 9.8 (inch) / 491.0 x 496.5 x 248.0 (mm)   29.9 lb / 13.5 kg</p>
<p><b>Effective Projected Area (EPA)</b></p>	<p>Front : 1.9052ft<sup>2</sup> / 0.177m<sup>2</sup>, Side : 0.8288ft<sup>2</sup> / 0.077m<sup>2</sup></p>

## SFP1K2 | 1K5 – Internal Wiring Bracket, Reverse Hanging Type, Optional

	
<p><b>Size &amp; Weight</b> (100mm PTX Applied)</p>	<p>19.3 x 19.6 x 7.8 (inch) / 491.0 x 496.5 x 196.9 (mm)   26.5 lb / 12.0 kg</p>
<p><b>Effective Projected Area (EPA)</b></p>	<p>Front : 1.9052ft<sup>2</sup> / 0.177m<sup>2</sup>, Side : 0.6458ft<sup>2</sup> / 0.060m<sup>2</sup></p>


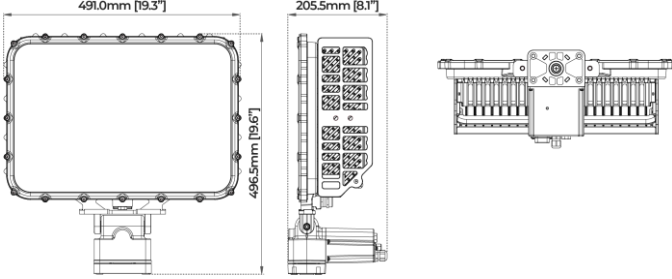

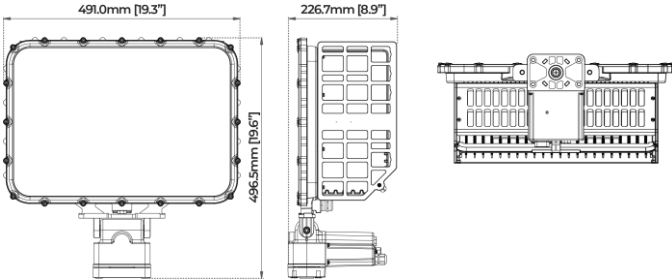
	
<p><b>Size &amp; Weight</b> (150mm PTX Applied - * For hot regions only)</p>	<p>19.3 x 19.6 x 9.8 (inch) / 491.0 x 496.5 x 247.8 (mm)   29.9 lb / 13.5 kg</p>
<p><b>Effective Projected Area (EPA)</b></p>	<p>Front : 1.9052ft<sup>2</sup> / 0.177m<sup>2</sup>, Side : 0.8288ft<sup>2</sup> / 0.077m<sup>2</sup></p>

# LED Flood Lighting SFP Series

GigaTera®  
beyond light

SFP1K2 | SFP1K5 (Remote Type)

## SFP1K2 | 1K5 – Remote Aiming Box (RTS-G3), Optional

	
<p><b>Size &amp; Weight</b> (100mm PTX Applied)</p>	<p>19.3 x 19.6 x 8.1 (inch) / 491.0 x 496.5 x 205.5 (mm)   30.2 lb / 13.7 kg</p>
<p><b>Effective Projected Area (EPA)</b></p>	<p>Front : 1.9375ft<sup>2</sup> / 0.180m<sup>2</sup>, Side : 0.7104ft<sup>2</sup> / 0.066m<sup>2</sup></p>
	
<p><b>Size &amp; Weight</b> (150mm PTX Applied - * For hot regions only)</p>	<p>19.3 x 19.6 x 8.9 (inch) / 491.0 x 496.5 x 226.7 (mm)   33.5 lb / 15.2 kg</p>
<p><b>Effective Projected Area (EPA)</b></p>	<p>Front : 1.9375ft<sup>2</sup> / 0.180m<sup>2</sup>, Side : 0.8826ft<sup>2</sup> / 0.082m<sup>2</sup></p>

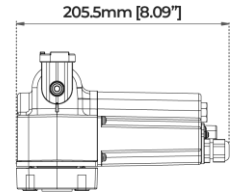
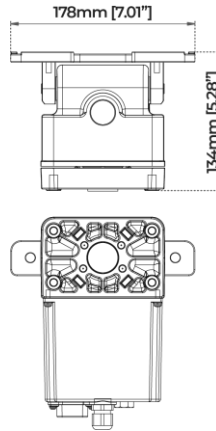
## RTS-G3 Specifications

<b>Model Name</b>	<b>RTS-G3</b>	
<b>Input Voltage</b>	24VDC	
<b>Power Consumption</b>	MAX 48W	
<b>Connector</b>	Waterproof connector	
<b>Communication Method</b>	RS-485	Zigbee(option)
<b>Data Rate</b>	115,200 [bps]	2.4 GHz – IEEE 802.15.4 (Compatible)
<b>Adjustable Angle</b>	Steering : ±70° / Tilt : 20 ~ -70°	
<b>Angular Velocity</b>	Steering 5 rad/s, Tilt 5 rad/s	
<b>Life Time</b>	40,000 cycle	
<b>Operating Product Weight</b>	Max. 15.2kg with SFP1K5 + 150mm PTX module	
<b>Size (mm)</b>	7.0 x 5.3 x 8.1 (inch) / 178.0 x 134.0 x 205.5 (mm)	
<b>Weight</b>	7.01 lb / 3.18 Kg	
<b>Body</b>	Cast Aluminum	
<b>Finish</b>	Electro-deposition Coating	
<b>Operating Temp.</b>	-30°C ~ 60°C	
<b>IP Rating</b>	IP65	

# LED Flood Lighting SFP Series

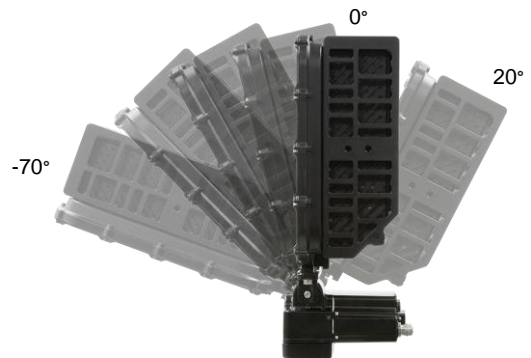
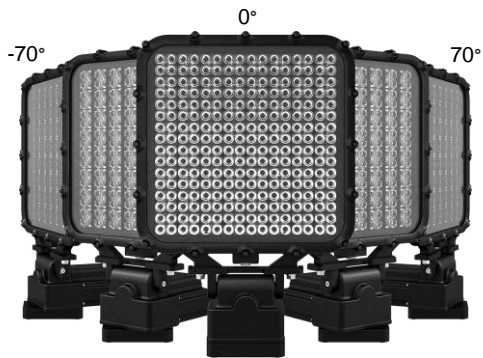
SFP1K2 | SFP1K5 (Remote Type)

## Dimension



Steering :  $\pm 70^\circ$  (\*Compatible with SFP800 and SFP1K5)

Tilt : 20 to  $-70^\circ$  (\*Compatible with SFP800 and SFP1K5)



## Control System (Optional)

ZigBee	Wireless Control	
Input Voltage	12 Vdc	
Max. Power Consumption	0.3W (@12 Vdc)	
Standard	2.4 GHz – IEEE 802.15.4 (Compatible)	
Network	Mesh	
RF Tx Power	Max. +8 dBm (Typ. 5 dBm)	
Data Rate	250 kbps	
Security	128 bit AES Encryption Algorithms	
Antenna	Omni Type, 2 dBi	
Wired Control	RS-485	DMX512
Input Voltage	12 Vdc	
Max. Power Consumption	0.2W (@12 Vdc)	
Communication Method	RS-485	DMX512
Data Rate	115,200 bps, 8-N-1	250,000 bps, 8-N-2

**NEMA-7** (Zhaga option available)

# LED Flood Lighting SFP Series

SFP1K2 | SFP1K5 (Remote Type)

<b>Mechanical</b>	7 Position : 3 Power Contacts + 4 Dimming / Signal Contacts
<b>Electrical</b>	Power Contacts. 15A, Max.480Vac/dc
	Dimming Contacts. 0.10A, Max.10Vac/dc
<b>Model Name</b>	TE, 2213362-4(ANSI C136.41-2013 Dimming Receptacle)
	te.com

## DALI-2 standards IEC 62386-101, -102 & -207

<b>DA+, DA- High Level</b>	Min. 9.5V	Typ. 16V	22.5V
<b>DA+, DA- Low Level</b>	Min. -6.5V	Typ. 0V	6.5V
<b>DA+, DA- Current</b>	Min. 0mA	-	2mA

## SFP1K2 - (5700K/5000K/4000K/3000K)

CCT	5700K			5000K		
Luminous Flux * (lm)	114,000	135,600	151,200	120,000	141,600	157,200
Luminous Efficacy * (lm/W)	95	113	126	100	118	131
CRI	90Ra	80Ra	70Ra	90Ra	80Ra	70Ra
CCT	4000K			3000K		
Luminous Flux * (lm)	114,000	135,600	151,200	108,000	129,600	145,200
Luminous Efficacy * (lm/W)	95	113	126	90	108	121
CRI	90Ra	80Ra	70Ra	90Ra	80Ra	70Ra

\* Tolerance : ± 5%

## SFP1K5 - (5700K/5000K/4000K/3000K)

CCT	5700K			5000K		
Luminous Flux * (lm)	135,000	159,000	177,000	142,500	166,500	184,500
Luminous Efficacy * (lm/W)	90	106	118	95	111	123
CRI	90Ra	80Ra	70Ra	90Ra	80Ra	70Ra
CCT	4000K			3000K		
Luminous Flux * (lm)	135,000	159,000	177,000	127,500	151,500	169,500
Luminous Efficacy * (lm/W)	90	106	118	85	101	113
CRI	90Ra	80Ra	70Ra	90Ra	80Ra	70Ra

\* Tolerance : ± 5%

# LED Flood Lighting SFP Series

SFP1K2 | SFP1K5 (Remote Type)

Ordering Information		Ordering Code Usage : SFP1K5-P50S157SRBNST						
SFP	Power Consumption	Input Voltage	CCT(K)	Beam Type	Angle	CRI	Body Type	Driver Type
	000	O	OO	O	OO	O	O	O
	1K2 = 1200W 1K5 = 1500W (Other options are available)	D = DC 200 H = AC200~277V N = AC200~480V P = AC277~480V	57 = 5700K 50 = 5000K 40 = 4000K 30 = 3000K	A = Asymmetric S = Symmetric	15 = 15° 20 = 20° 30 = 30° 45 = 45°	9 = 90Ra 8 = 80Ra 7 = 70Ra	S = Single D = Dual	R = Remote type D = Direct mounted type B = Bridge bracket mounted type

Fixture Color	Visor	Control System	Bracket
O	O	OO	OO
B = Black G = Grey	N = None L = Left Side R = Right Side T = Triple Side / Triangle	ZB = Zigbee RS = RS-485 DM = DMX512 D2 = DALI-2 NM = NEMA socket ZG = Zhaga socket DG = Digital	ST = Standard Straight type bracket RH = Reverse Hanging type bracket AT = Arm Tenon type bracket YS = Yoke Straight type bracket YR = Yoke Reverse type bracket IW = Internal Wiring type bracket