

# LED Bay Lighting

## SEGA Series (SE 320)



### Product Description

- Excellent heat dissipation and high efficiency
- Best fitted lighting for factories and warehouses
- Wireless control system capable of on-off and dimming control
- Wireless control system capable of daylight sensor control

### Application

- Factories
- Gyms
- Warehouse
- Superstores

### Certification



General Specifications	
Model Name	SE320
Size	Ø22.0 x 7.2 (inch) / Ø560 x 184.0 (mm)
Weight (Driver included)	20.9lb / 9.5kg
IP Rating	IP66
Operating Temperature	14°F ~ 104°F / -10°C ~ 40°C
Warranty	5 Years (12 hours usage per day)
Country of Origin	GigaTera Lighting Inc. (Made in Korea)

Electrical Performance	
Input Voltage	100 ~ 277Vac
Input Current	Max. 3.35A (@100Vac)
	Max.1.4A (@277Vac)
Power Factor	≥0.9 at Max load
Frequency	50 / 60 Hz
Surge Protection	Line – Line 2kV / Line – FG 4kV

Materials	
Body	Cast Aluminum
Optic	Al Coating Reflector
Cover	Tempered Glass 4.0T (Clear)
Finish	Powder Coating

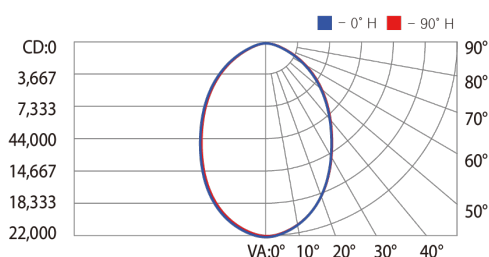
Option	
Control	Wireless (ZigBee)

Lumen Data (Clear)			
CCT	5000K	4000K	3000K
CRI	70 Ra		
Luminous Flux *	46,400 lm	46,400 lm	43,200 lm
Luminous Efficacy *	145 lm/W	145 lm/W	135 lm/W

Lumen Data (Frosted) :Optional			
CCT	5000K	4000K	3000K
CRI	70 Ra		
Luminous Flux *	43,200 lm	43,200 lm	40,000 lm
Luminous Efficacy *	135 lm/W	135 lm/W	125 lm/W

\*Tolerance ±5%

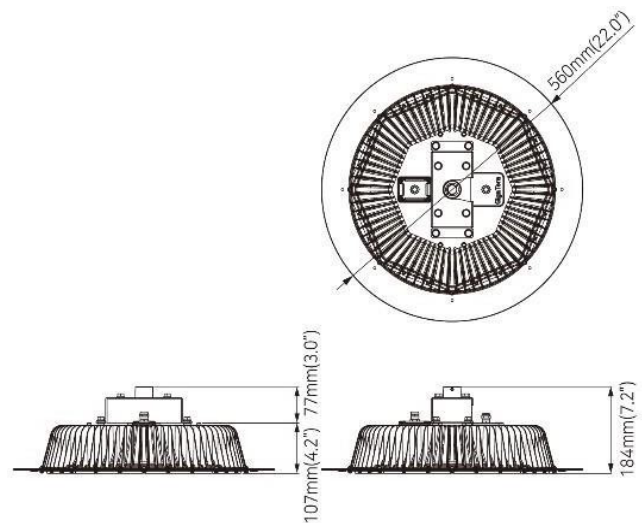
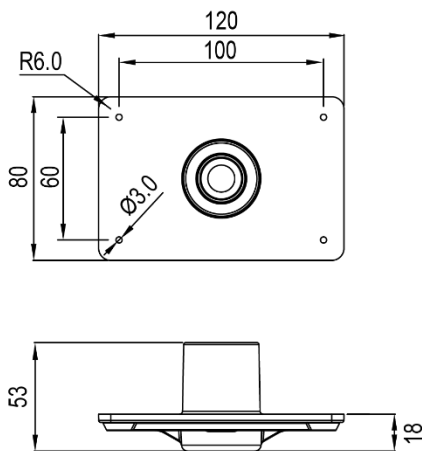
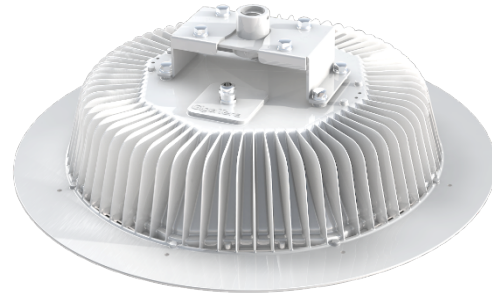
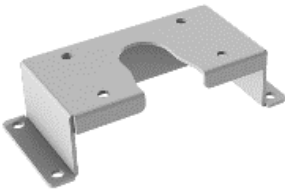
### Photometry Data – 5000K: Frosted



### Types of mounting brackets with dimension information (Optional Purchase)

#### Built-in type / Pipe type

- Bracket Code : **KLBSEH400E40003\_A3**

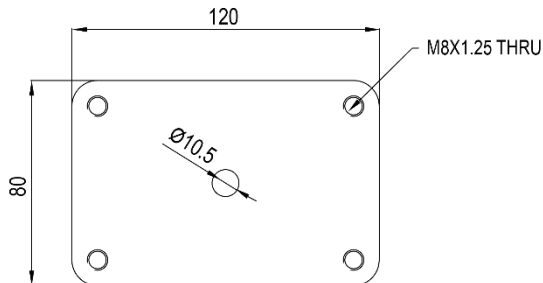


Size		22.0 x 28.6 (inch) / 560 x 726 (mm)
Weight	Module	20.9lb / 9.5kg
	Bracket	0.44lb / 0.2kg
	Assembly (Module + Bracket)	21.3lb / 9.7kg

### Types of mounting brackets with dimension information (Optional Purchase)

#### Built-in type / Chain type

- Bracket Code : **KLBSEH400E40004\_A3**



	<b>Size</b>	22.0 x 29.4 (inch) / 560 x 748 (mm)
<b>Weight</b>	Module	20.9lb / 9.5kg
	Bracket	0.88lb / 0.4kg
	Assembly (Module + Bracket)	21.8lb / 9.9kg

# LED Bay Lighting

SEGA Series (SE 320)

## ■ Control System (Optional)

Wireless Control	ZigBee
Input Voltage	15Vdc
Max. Power Consumption	0.3W (@15Vdc)
Standard	2.4 GHz – IEEE 802.15.4 (Compatible)
Network	Mesh
RF Tx Power	Max. +8dBm (Typ. 5dBm)
Data Rate	250 kbps
Security	128 bit AES Encryption Algorithms
Antenna	Omni Type, 2dBi

## ■ Ordering Information

Ordering Code Usage : SE320-A5008Z					
	○○○	○	○	○○	○
SE	Power Consumption	Input Voltage	CCT (K)	Beam Angle	Control System
	320	A = 100 ~ 277V B = 100 ~ 240V	50 = 5000K 40 = 4000K	09 = 90°	N = None Z = Zigbee