

LED Flood Lighting

SUFA-X RGB Series

GigaTera[®]
beyond light

SFX400-RGB / SFX120-RGB

Product Description

- Excellent Cooling Structure
- Wired Lighting Control
- Built-in 20kV Surge Protection Device

Application

- Sports Stadium
- Indoor Venues
- Port

Certification

- UL
- FCC



SUFA-X RGB Series Specifications



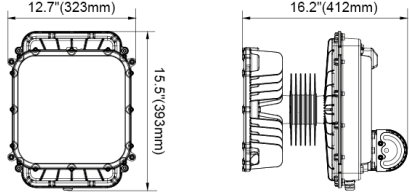
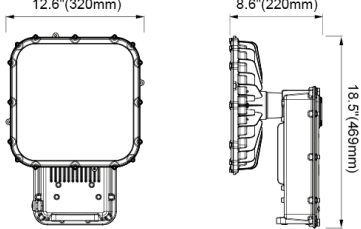
| Model Name | SFX400-RGB | | | SFX120-RGB | | |
|--------------------------|--|--|----------|---------------------------------------|-----------------------|----------|
| Power Consumption | 400W | | | 120W | | |
| CCT | RGB | | | | | |
| RGB Color | RED | GREEN | BLUE | RED | GREEN | BLUE |
| Luminous Flux * | 4,900 lm | 16,000 lm | 2,500 lm | 1,450 lm | 4,800 lm | 750 lm |
| Luminous Efficacy * | 12.2 lm/w | 40 lm/w | 6.2 lm/w | 12.2 lm/w | 40 lm/w | 6.2 lm/w |
| LED Driving Current | 1,050mA | | | 350mA | | |
| Light Distribution | 45° / 30° / 15° | | | | | |
| Input Voltage | 200 ~ 277 / 220 ~ 240 / 347 ~ 480 Vac | | | 100 ~ 277 / 220 ~ 240 / 347 ~ 480 Vac | | |
| Input Current | Max. 2.5A (@200 Vac) | | | Max. 1.2A (@100 Vac) | | |
| | Max. 1.5A (@347 Vac) | | | Max. 0.45A (@347 Vac) | | |
| Power Factor | ≥0.9 at Max load | | | | | |
| Frequency | 50 / 60 Hz | | | | | |
| Surge Protection | Line – Line 20kV, Line – FG 20kV | | | | | |
| Driver Type | Constant Current (CC) | | | | | |
| Fixture Manufacturer | GigaTera Lighting Inc. / Made in Korea | | | | | |
| Size | Inch | 12.7 x 15.5 x 16.2 | | | 12.6 x 18.5 x 8.6 | |
| | mm | 323.0 x 393.0 x 412.0 | | | 320.0 x 469.0 x 220.0 | |
| Weight (Driver included) | 36.6 lb / 16.6 kg | | | 16.5 lb / 7.5 kg | | |
| Material | Body | Cast Aluminum | | | | |
| | Optic | AL Coating Reflector | | | | |
| | Cover | Tempered Glass 3.2T (Clear) | | | | |
| Finish | Powder Coating | | | | | |
| IP Rating | IP66 | | | | | |
| Operating Temperature | -30°C ~ 50°C | | | | | |
| Option | Control | Wired (RS-485, DMX-512) | | | | |
| | Mounting | Swivel Bracket | | | | |
| | Cover Protection | Stainless steel wire mesh for glass protection | | | | |
| Warranty | 5 Years (12 hours usage per day) | | | | | |

* Tolerance : ± 10%

LED Flood Lighting

SUFA-X RGB Series


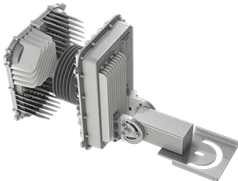

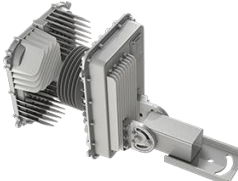

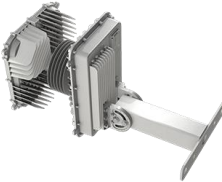
SFX400-RGB / SFX120-RGB

| SUFA-X 400W RGB | | SUFA-X 120W RGB | |
|---|---|---|--|
|  | |  | |
|  | |  | |
| Size | 12.7 x 15.5 x 16.2 (inch) 323.0 x 393.0 x 412.0 (mm) | Size | 12.6 x 8.6 x 18.5 (inch) 320.0 x 220.0 x 469.0 (mm) |

Control System (Optional)

| | | |
|-------------------------------|--------------------|--------------------|
| Wired Control | RS-485 | DMX-512 |
| Input Voltage | 15 Vdc | |
| Max. Power Consumption | 0.2W (@15 Vdc) | |
| Communication Method | RS-485 | DMX-512 |
| Data Rate | 115,200 bps, 8-N-1 | 250,000 bps, 8-N-2 |

Mount Bracket Installation Reference (Optional)

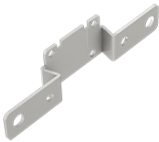


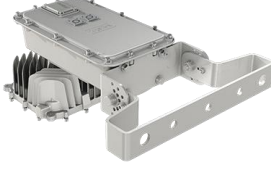



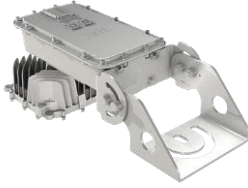
| SFX400-RGB | | | |
|---|---|---|---|
| KETBKTLC13G1007 | | KMDLMBK010430 | |
| | KETBKTLC13G1007 | | KMDLMBK010430 |
|  |  |  |  |
| KETBKTLC13G1002 | | | |
| | KETBKTLC13G1002 | | |
|  |  | | |

LED Flood Lighting

SUFA-X RGB Series

SFX400-RGB / SFX120-RGB

SFX120-RGB

| | | | |
|---|---|--|---|
| KETBKTLC13G1004 | | KETBKTLC13G1001 | |
|  | KETBKTLC13G1004  |  | Swivel Bracket (Up:90° / Down: 90°)  |
| KETBKTLC13G1006 | | KMDLMBK010470 | |
|  | Tilt and Rotate Bracket  |  | Surface Mount Bracket  |

Ordering Information

Ordering Code Usage : SFX400-HCR045W

| | | | | | | |
|------------|--|---|--|-----------------|--|---|
| SFX | 000 | - | 0 | 00 | 000 | 0 |
| | Power Consumption | | Input Voltage | CCT (K) | Beam Angle | Control System |
| | 400 = 400W 120 = 120W | | A = 100 ~ 277V C = 347 ~ 480V D = 220 ~ 240V H = 200 ~ 277V | CR = RGB | 045 = 45° 030 = 30° 015 = 15° | W = Wired (RS485) M = Wired (DMX-512) N = None |